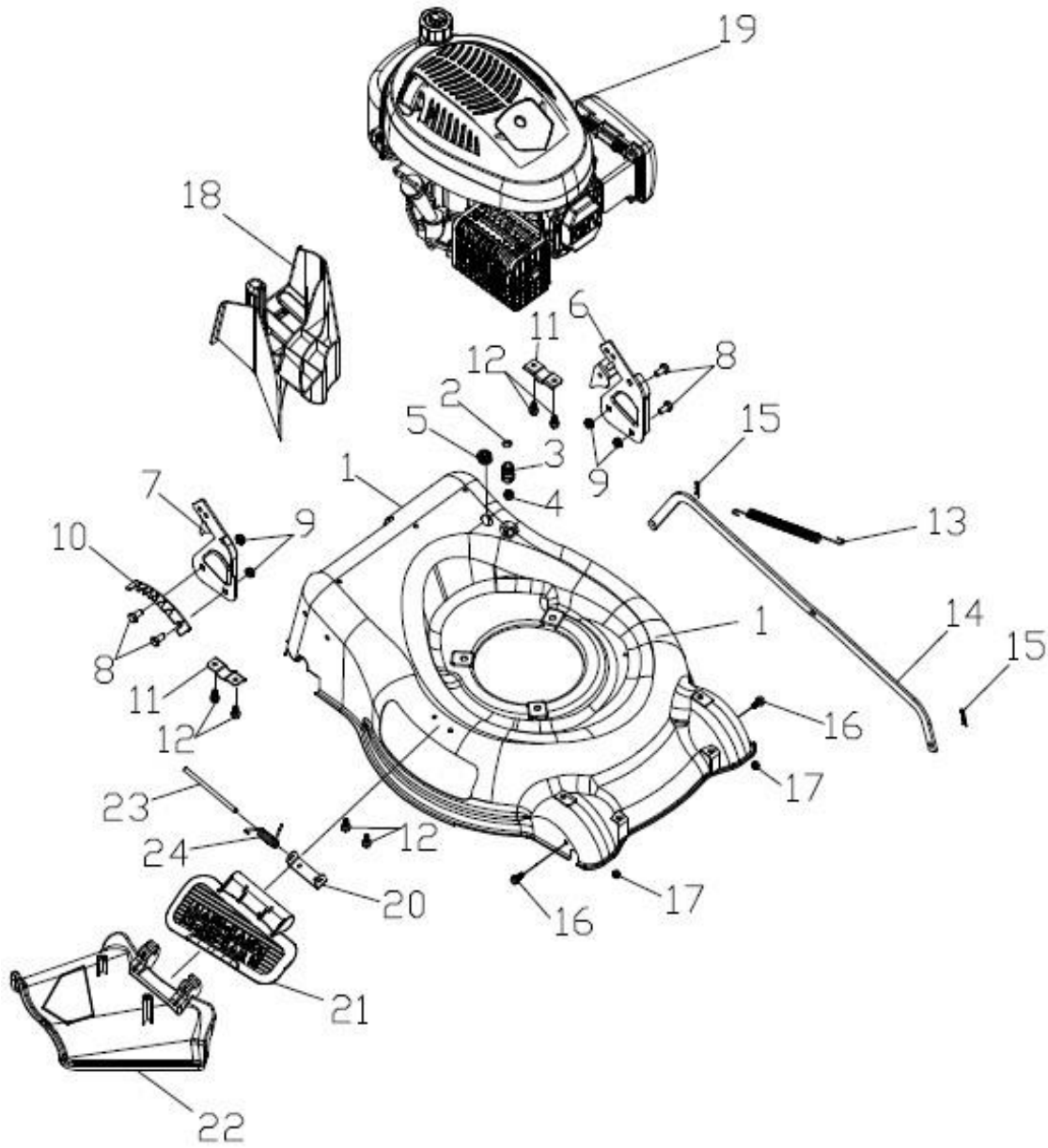


| | | |
|----|------------------------|--|
| 1 | foam pipe | |
| 2 | stop lever | |
| 3 | Self-propelled Lever | |
| 4 | upper handrail | |
| 5 | Rope Guide | |
| 6 | Cap nut | |
| 7 | Brake Cable Assy plate | |
| 8 | Bolt | |
| 9 | Self-locking nut | |
| 10 | Plastic stopper | |
| 11 | brake cable | |
| 12 | selfpropelled cable | |
| 13 | quick fix knob | |
| 14 | Pin | |

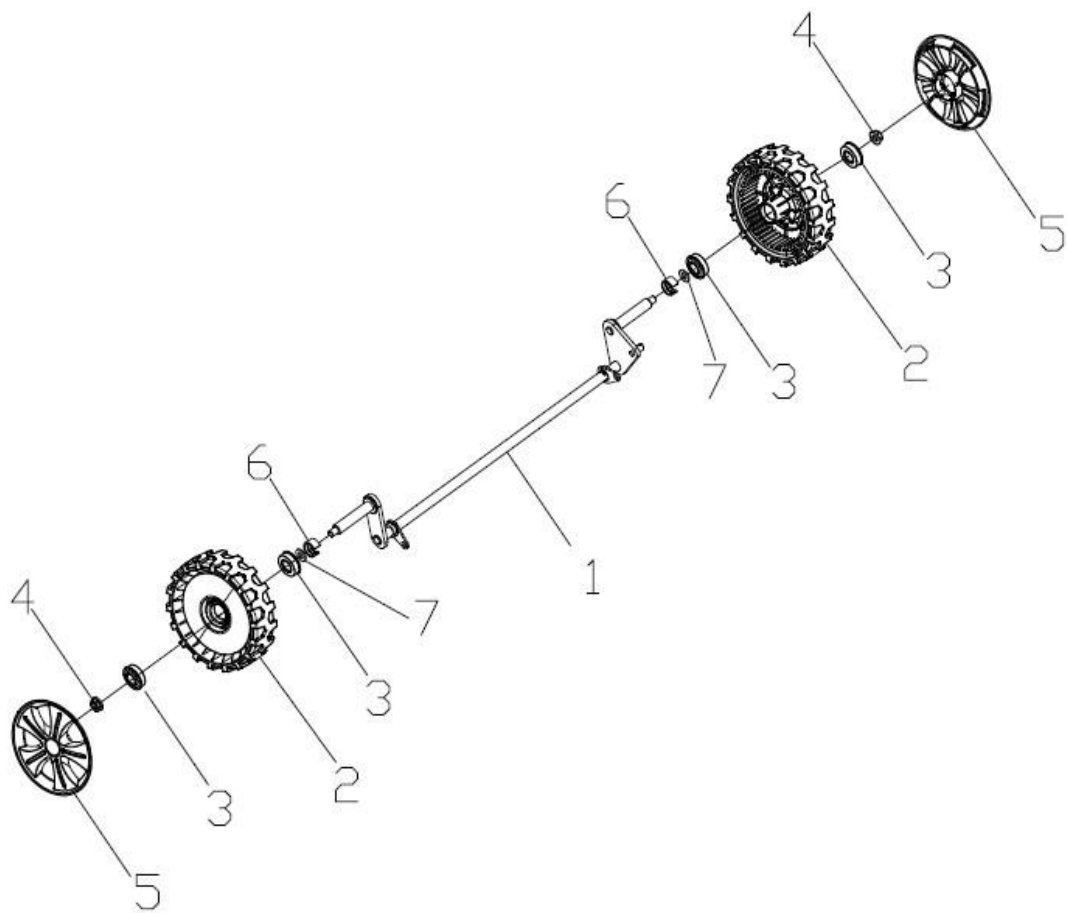
| | | |
|----|---|--|
| 15 | Quick Fix Handle | |
| 16 | lock for fast fix handle | |
| 17 | flat washer | |
| 18 | lock nut | |
| 19 | Hexagon nut | |
| 20 | lower handrail | |
| 21 | fastener | |
| 22 | Hexagon head bolts | |
| 23 | Half round head square neck boltsbolts | |
| 24 | Hex lock nut | |
| 25 | triangle knob | |



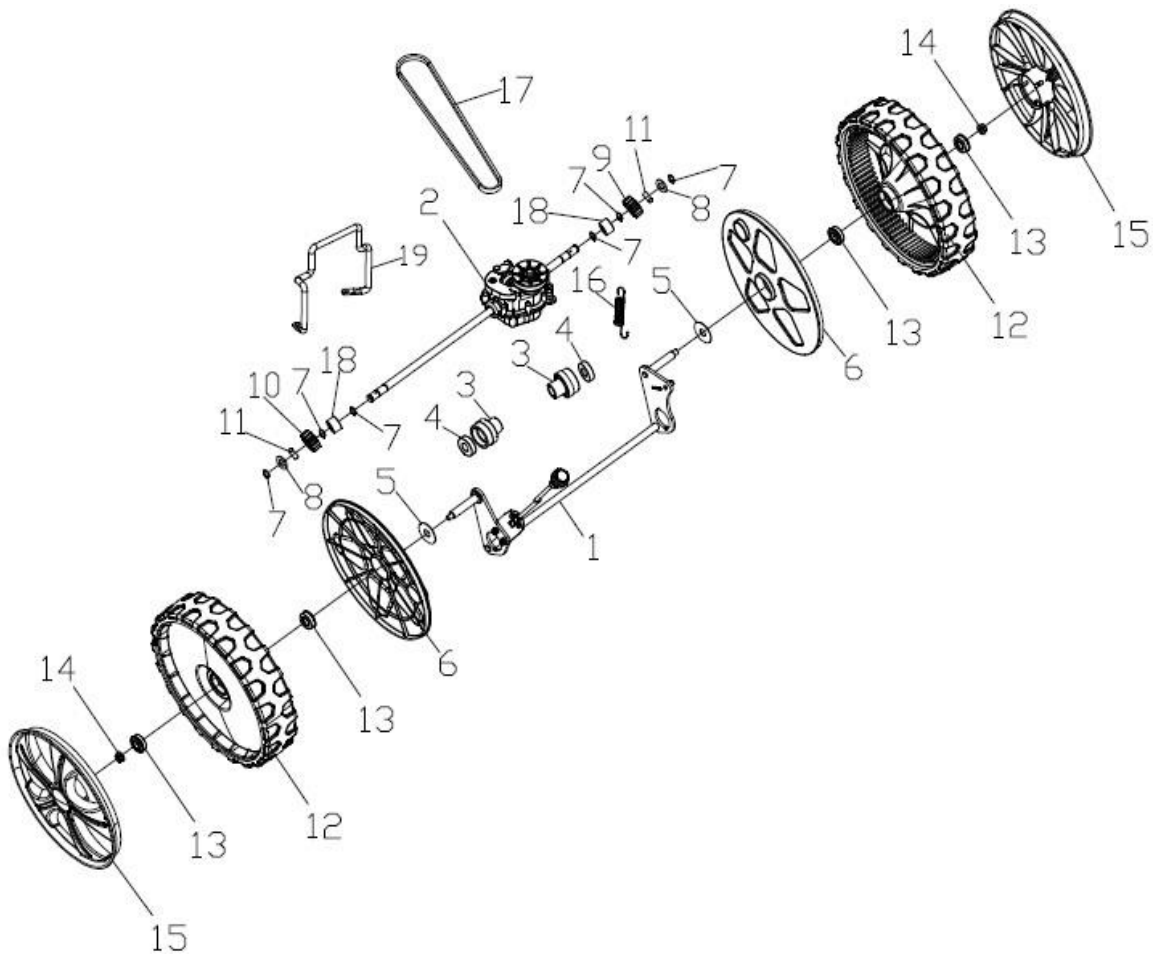
| | | |
|---|--------------------|--|
| 1 | deck welding assy. | |
|---|--------------------|--|

| | | |
|----|-----------------------------|--|
| 2 | "O" ring | |
| 3 | inlet | |
| 4 | Pipe connector nut | |
| 5 | cable stopper | |
| 6 | left handle bracket | |
| 7 | left handle bracket | |
| 8 | Hexagon head bolts | |
| 9 | Hex lock nut | |
| 10 | height adjustment board | |
| 11 | rear drive bracket | |
| 12 | Hex tapping screws | |
| 13 | Pull Spring for Pull Rod | |
| 14 | Height Adjustment Pull Rod | |
| 15 | R type pin | |
| 16 | Bolt | |
| 17 | Self-locking nut | |
| 18 | mulching plug | |
| 19 | petrol engine | |
| 20 | Bracket plate for defelctor | |
| 21 | mulching board | |

| | | |
|----|----------------------|--|
| 22 | side discharge cover | |
| 23 | Mulch Shaft | |
| 24 | mulch board spring | |

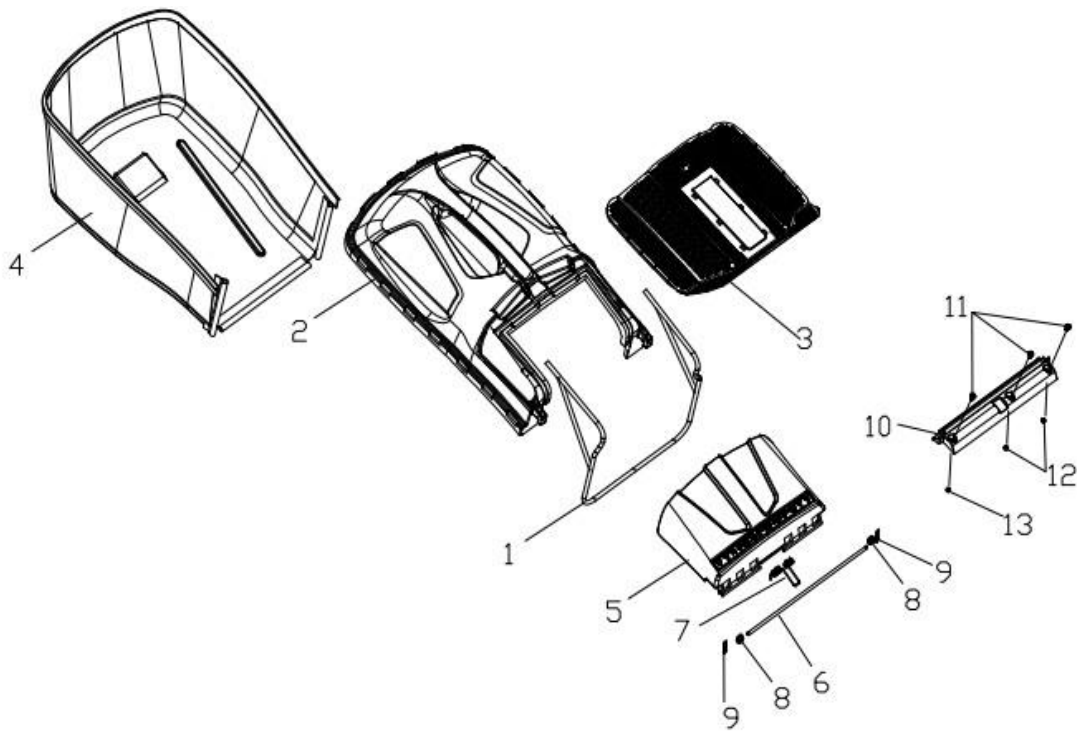


| | | |
|---|------------------------|------------------------|
| 1 | front drive assy. | front drive assy. |
| 2 | wheel assy. | wheel assy. |
| 3 | wheel punch bearing | wheel punch bearing |
| 4 | Self-locking nut | Self-locking nut |
| 5 | outer cover of hub | outer cover of hub |
| 6 | front bracket fastener | front bracket fastener |
| 7 | flat washer | flat washer |

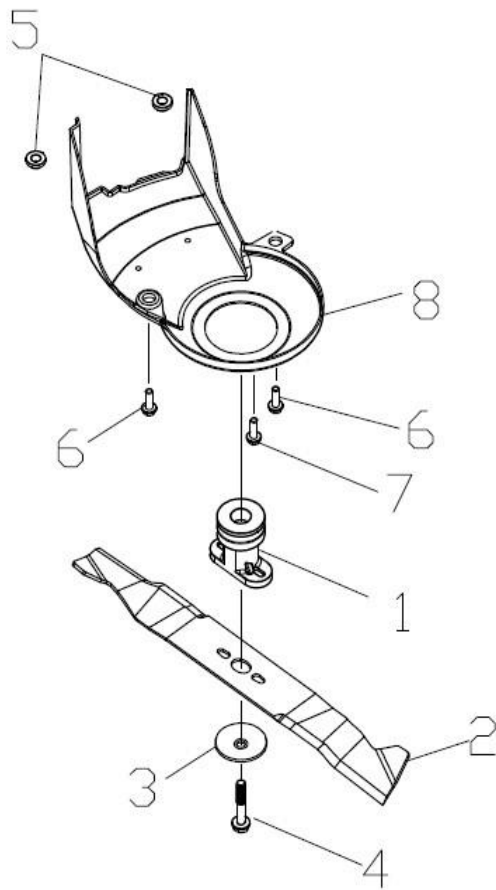


| | | |
|----|------------------------------|--|
| 1 | rear drive assy. | |
| | height adjustment ball | |
| 2 | selfpropelled assy. | |
| 3 | rear wheel axle sleeve | |
| 4 | bearing | |
| 5 | Gasket | |
| 6 | inner cover of hub | |
| 7 | spring washer | |
| 8 | selfpropelled ratchet washer | |
| 9 | Ratchet Wheel L | |
| 10 | Ratchet Wheel R | |
| 11 | bratchet pin | |
| 12 | wheel assy. | |
| 13 | wheel punch bearing | |
| 14 | Self-locking nut | |
| 15 | outer cover of hub | |
| 16 | selfpropelled spring | |
| 17 | v belt | |


| | | |
|----|------------------------|--|
| 18 | rear wheel axle sleeve | |
| 19 | Brake spring | |















| | | |
|----|---------------------------------------|--|
| 1 | fabric metal frame | |
| 2 | top of grass box | |
| 3 | filter net of grass bag | |
| 4 | fabric grass bag | |
| 5 | rear discharge cover | |
| 6 | Shaft for rear discharge cover | |
| 7 | cover spring | |
| 8 | lock washer | |
| 9 | R type pin | |
| 10 | rear discharge cover dust proof board | |
| 11 | Bolt | |
| 12 | Self-locking nut | |
| 13 | Cap nut | |






| | | |
|---|-----------------------|--|
| 1 | Blade Adapter Assy | |
| 2 | blade | |
| 3 | blade washer | |
| 4 | Inch hex flange bolts | |
| 5 | Chassis bushing | |
| 6 | Hex flange bolts | |
| 7 | Hex flange bolts | |
| 8 | belt cover | |

| | | |
|---|--------------------|---|
| 1 | Blade Adapter Assy |  |
|---|--------------------|---|

| | | |
|---|---------------------|---|
| 2 | blade |  |
| 3 | wheel assy. |  |
| 4 | outer cover of hub |  |
| 5 | wheel assy. |  |
| 6 | outer cover of hub |  |
| 7 | wheel punch bearing |  |

| | | |
|----|----------------------|--|
| 8 | belt cover |  A 3D rendered model of a grey, curved belt cover with a circular opening at the top and a small protrusion on the side. |
| 9 | v belt |  A 3D rendered model of a black V-shaped belt, shown as a simple loop. |
| 10 | mulching board |  A 3D rendered model of a grey, curved mulching board with a textured surface and a small protrusion at the top. |
| 11 | side discharge cover |  A 3D rendered model of a grey, curved side discharge cover with a small protrusion at the top and a small hole on the side. |
| 12 | quick fix knob |  A 3D rendered model of a grey, curved quick fix knob with a small protrusion at the top and a small hole on the side. |
| 13 | Pin |  A 3D rendered model of a black, cylindrical pin with a small protrusion at one end. |

| | | |
|----|------------------|---|
| 14 | Quick Fix Handle |  |
| 15 | flat washer |  |
| 16 | lock nut |  |